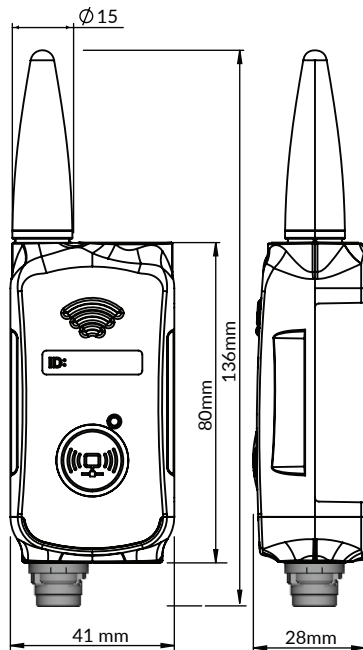


# TME-P2-WS102

## Single Input Wireless Transmitter

For use with the D3 family of wireless base stations  
Compatible with a range of P3-DS Intelligent Digital Sensors (supplied separately)

Product Drawing:



Designed to work with tek troniks D3 868Mhz wireless base stations and is compatible with a full range of tek troniks Intelligent sensors.

Secure communication protocols using licence free 868Mhz radio frequency.

Bi directional wireless communications with the base station allows for communication status reporting.

Can be used in environments where wash down is required.

The screw top battery compartment allows for users to easily replace the transmitter battery.

Technical Specifications:

Transmission Frequency: _____	1 minute	Status LED: _____	Provides communication status
RF Frequency: _____	868 Mhz	Weight: _____	77g
	14dbm - UK & Europe	IP Rating: _____	IP67
RF Range: _____	1 kilometre (line of sight, open field)	Connector: _____	2 x 3 pin female Hirose
	200m typical in buildings	Operating Temperature: _____	-20°C to 55°C
	Extenders available to boost range	Battery Life: _____	>5 years in normal operation
		Battery Type: _____	3.6V lithium
		Mounting: _____	Integral magnetic strip or optional mounting bracket